

DALÌ

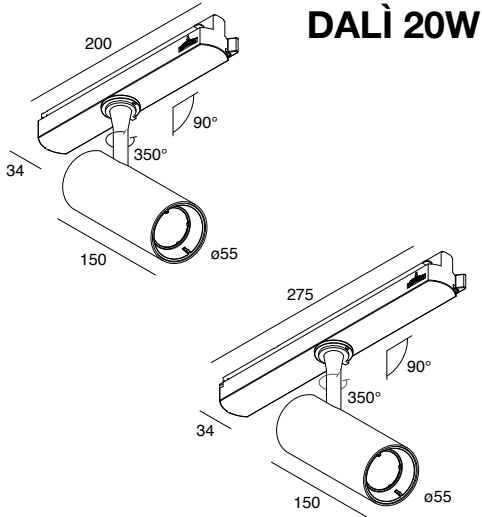
IL PRODOTTO RISPONDE AI REQUISITI PER EDIFICI PUBBLICI D.M. 11 OTT 2017 (C.A.M. Edilizia)

THE PRODUCT COMPLIES WITH THE REQUIREMENTS FOR PUBLIC BUILDINGS, MINISTERIAL DECREE OF 11th OCT 2017



Spot LED orientabile per installazione a binario elettrificato All-Track.
 Ottiche intercambiabili 15° e 38°.
 Corpo in lega di alluminio estruso verniciato a polvere, anello nero in tecnopolimero (incluso) e verniciato nella versione oro (opzionale).
 Lente in policarbonato, adattatore plastico per binario incluso.
 Alimentatore elettronico o dimmerabile DALI integrato nell'adattatore.

Adjustable spotlight for electrified All-Track. Interchangeable optics.
 Body made of powder coated aluminium alloy, technopolymer black ring (included) and gold painted version (optional).
 Lens in polycarbonate, integrated plastic adaptor for track.
 Electronic or dimmable DALI driver integrated into the adaptor.

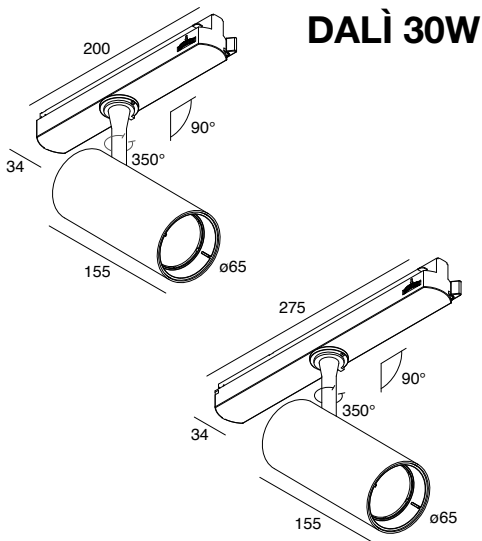


DALÌ 20W

POWER	BEAM	FLUX	3000K	FLUX	4000K
20W	15° 38°	1632 lm 1651 lm	<input type="checkbox"/> <input checked="" type="checkbox"/>	1744 lm 1767 lm	<input type="checkbox"/> <input checked="" type="checkbox"/>
		106101.01	.02	106105.01	.02



POWER	BEAM	FLUX	3000K	FLUX	4000K
20W	15° 38°	1632 lm 1651 lm	<input type="checkbox"/> <input checked="" type="checkbox"/>	1744 lm 1767 lm	<input type="checkbox"/> <input checked="" type="checkbox"/>
		106103.01	.02	106107.01	.02

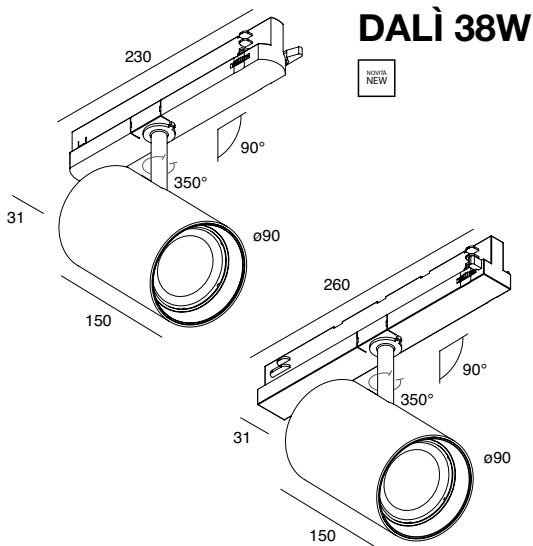


DALÌ 30W

POWER	BEAM	FLUX	3000K	FLUX	4000K
30W	15° 38°	2329 lm 2356 lm	<input type="checkbox"/> <input checked="" type="checkbox"/>	2516 lm 2546 lm	<input type="checkbox"/> <input checked="" type="checkbox"/>
		106102.01	.02	106106.01	.02



POWER	BEAM	FLUX	3000K	FLUX	4000K
30W	15° 38°	2329 lm 2356 lm	<input type="checkbox"/> <input checked="" type="checkbox"/>	2516 lm 2546 lm	<input type="checkbox"/> <input checked="" type="checkbox"/>
		106104.01	.02	106108.01	.02



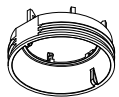
DALÌ 38W



POWER	BEAM	FLUX	3000K	FLUX	4000K
38W	15° 38°	4142 lm 4221 lm	<input type="checkbox"/> <input checked="" type="checkbox"/>	4351 lm 4433 lm	<input type="checkbox"/> <input checked="" type="checkbox"/>
		106115.01	.02	106117.01	.02



POWER	BEAM	FLUX	3000K	FLUX	4000K
38W	15° 38°	4142 lm 4221 lm	<input type="checkbox"/> <input checked="" type="checkbox"/>	4351 lm 4433 lm	<input type="checkbox"/> <input checked="" type="checkbox"/>
		106116.01	.02	106118.01	.02

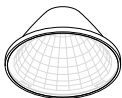


ANELLO DECORATIVO ORO
opzionale

DECORATIVE GOLD RING
optional

CODE VERSION

106109.15	20W
106110.15	30W
106120.15	38W

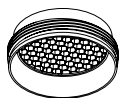


LENTE 55° - opzionale

LENS 55° - optional

CODE VERSION

106113.00	20W
106114.00	30W
106119.00	38W



SCHERMO A NIDO D'APE
anti-abbagliamento con ghiera in
alluminio verniciato - Ø 52 mm

HONEYCOMB ANTI-GLARE
ACCESSORY with painted aluminum
ring - Ø 52 mm

CODE VERSION

106111.02	20W
106112.02	30W
106121.02	38W